

Palfinger P 320



The lightweight with the manoeuvrability and performance of a heavy load platform.

The P 320 - with a working height of 32 metres - combines all the advantages of the Jumbo class. As a unique niche product developed and designed for mounting on vehicles with a gross vehicle weight of only 12 tonnes, it opens up new areas of use particularly in the inner-city segment.

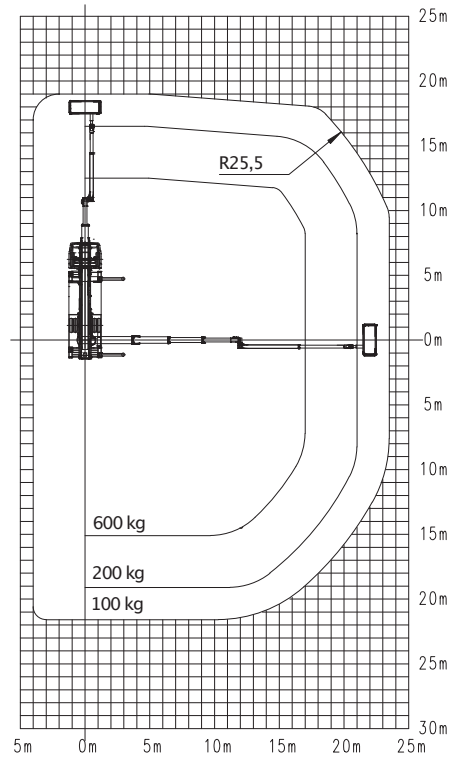
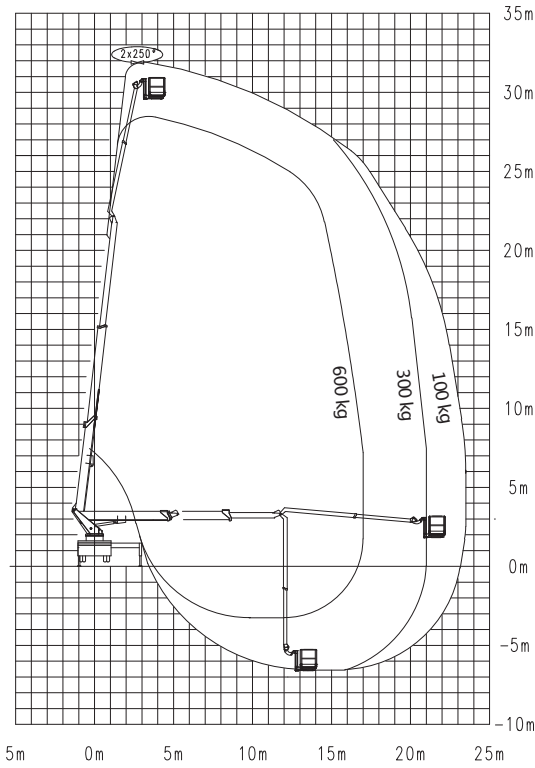
Dual telescopic extension boom and telescopic basket arm in conjunction with a maximum basket load of 600 kg set new standards in this league in respect of manoeuvrability, functionality and basket load.

Unbeatable in performance and dead weight, the P 320 is the most attractive choice for many areas of use.

Palfinger P 320

	32.00m		3.88 x 1.05
	30.00m		≥ 3.53m
	25.50m		8.400m
	600kg		≥ 12.000kg
	2.55m		8°

Palfinger P 320



All measurements and weights are approximate and refer to the standard basic execution. *Outreach and height max values and repeatability can change within $\pm 3\%$ due to manufacturing variation and working condition.