

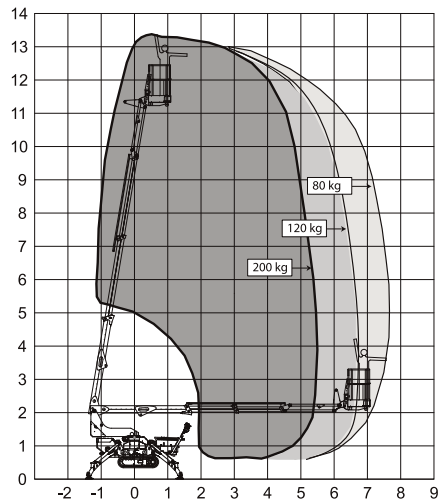
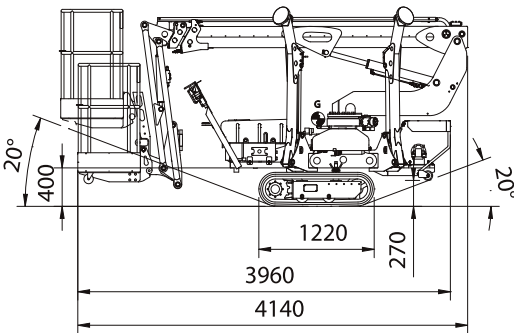
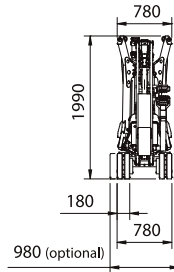
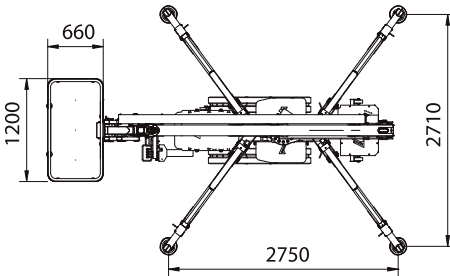
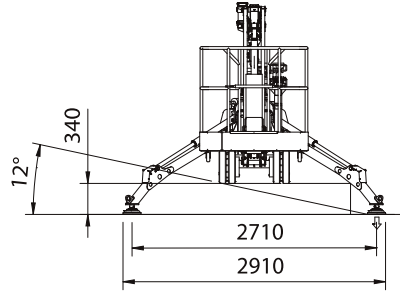
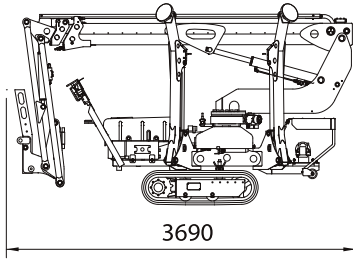
SPIDER 13.80

Hybrid Tracked Self Propelled Platforms - Working height 13.30m - Max side outreach 7.70m.

- The HYBRID version (battery 24 Vdc + combustion engine) of Spider 13.80.
- Fulfils the spider self propelled range in the middle segment from the 10 to the 20m. working height.
- Is a synonymous of versatility, compactness and easiness to use, in accordance to the guidelines of Platform Basket Spider Range.
- The new spider represents an innovation in the sector: Spider 13.80 is the only telescopic self propelled boom with fly jib in this range of aerial working platform.
- Platform Basket technical staff realises a super compact access platform (min. width in stowed position: 2 m.; minimum height in stowed position: 0.8 m) although the performance in working height and in max side outreach put Spider 13.80 at the top of the range.
- Noteworthy are: the automatic outreach control system, a solution that allows to have more outreach in relation with the weight; the compact stabilisation, a features that improves the versatility of Spider 13.80 thanks to the narrow stabilisation footprint (2.7x2.7 m.); the lightness that enables the transportation with any trucks features 3,5 T. of total weight the remote control in translation with a double velocity system that allows the loading and the unloading in total safety with any means of transportation equipped by the climb ramps; the operating rapidity, in fact is possible to develop the jib in less than 40 seconds.



SPIDER 13.80



All measurements and weights are approximate and refer to the standard basic execution. Technical alterations reserved.