

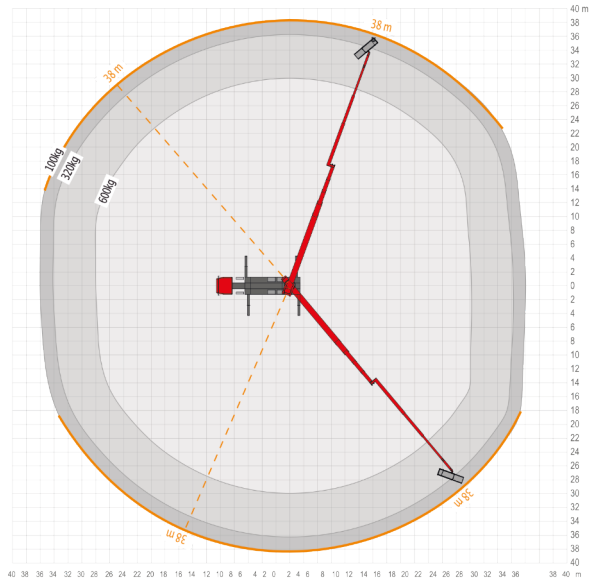
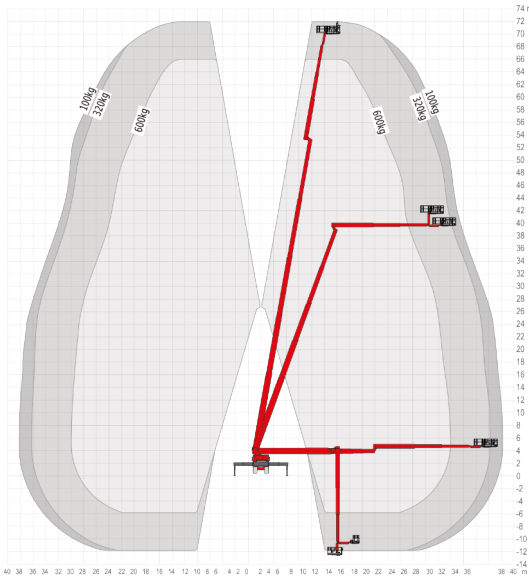


STEIGER® T720



- 72 m working height
- 38 m lateral reach
- 13.76 m total vehicle length
- Top performance data due to multi-bevelled boom technology
- Work “behind” objects using movable jib (RÜSSEL®)
- Generous 600 kg working cage load capacity
- Working below ground possible
- Enter and load working cage at ground level with “Lift-Up-System”
- Automatic set-up/retraction mechanism at the push of a button
- Aluminium working cage can be extended hydraulically
- Maintenance-friendly boom system

RUTHMANN STEIGER® T720			
	72.00m		2.42 x 0.97
	70.00m		≥ 3.99m
	38.00m		13.76m
	500°		2°
	180°		≥ 32.000kg
	600kg		180°



All measurements and weights are approximate and refer to the standard basic execution. Technical alterations reserved. **STEIGER®**, **GELENKSTEIGER®**, **RÜSSEL®** and **CARGOLOADER®** are registered trademarks of **RUTHMANN GmbH & Co. KG**