



STEIGER® TBR 220



The STEIGER® TBR 220. Small chassis, incredible performance.

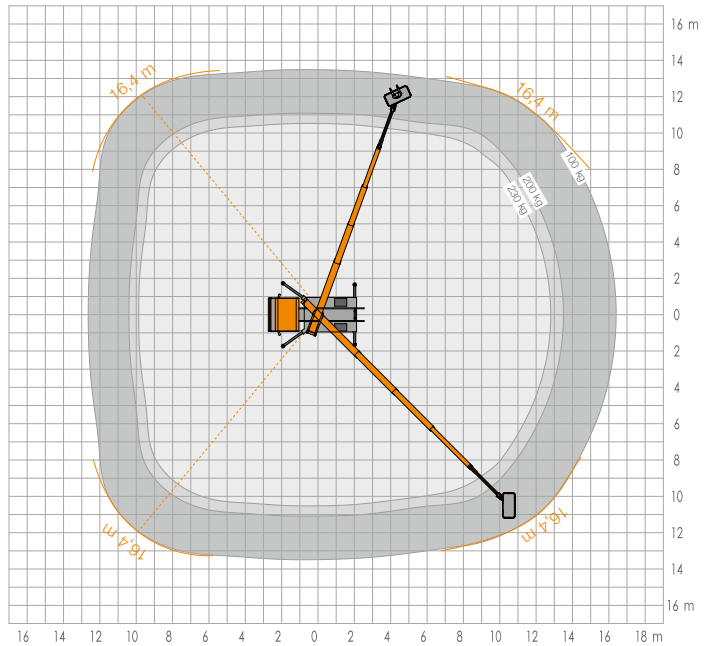
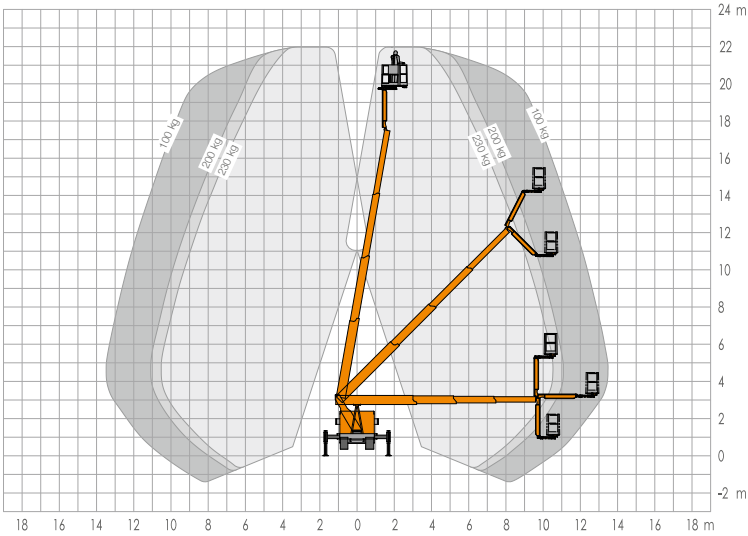
- 22.00 m working height
- 16.40 m lateral reach
- 185° jib (RÜSSEL®) swivelling range
- 230 kg work cage load capacity
- Diverse base vehicles ≥ 3.5 t (GVW)*
- Interchangeable cage system
- Total vehicle length: ≥ 6.92 m
- Total vehicle height: ≥ 2.99 m
- 2 x 85° cage rotation device
- Positioning at inclinations of up to 5°
- EURO 6 compatible (because of lightweight design)
- Telescoping boom system made of high strength, fine-grained steel with proven multi-bevelled technology
- Innovative “space frame design” tower
- Low height of work cage console for increased safety and efficiency when approaching objects

* gross vehicle weight

RUTHMANNSTEIGER® TBR 220

	22.00m		≥ 2.99 m
	20.00m		6.92m
	16.40m		5°
	185°		≥ 230 kg
	230kg		$\geq 3,500$ kg
	1.40 x 0.70		B/3

STEIGER® TBR 220



All measurements and weights are approximate and refer to the standard basic execution. Technical alterations reserved. **STEIGER®**, **GELENKSTEIGER®**, **RÜSSEL®** and **CARGOLOADER®** are registered trademarks of **RUTHMANN GmbH & Co. KG**