



## STEIGER® TU 285

The STEIGER® TU 285. The compact city platform!

- 28.5 m working height
- 20.5 m lateral reach

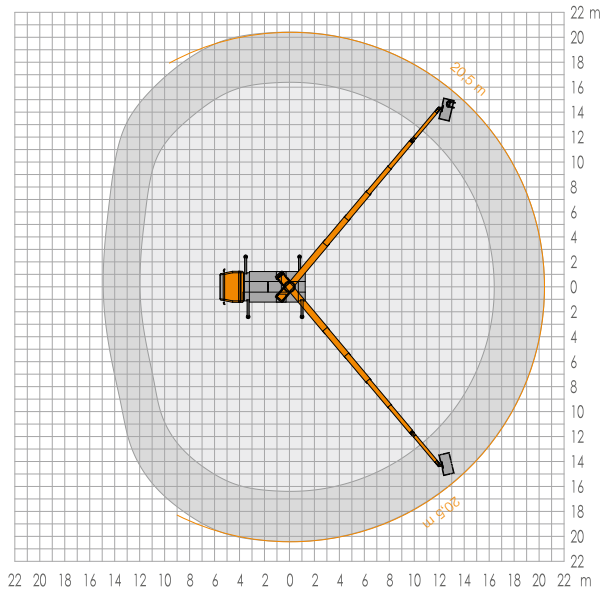
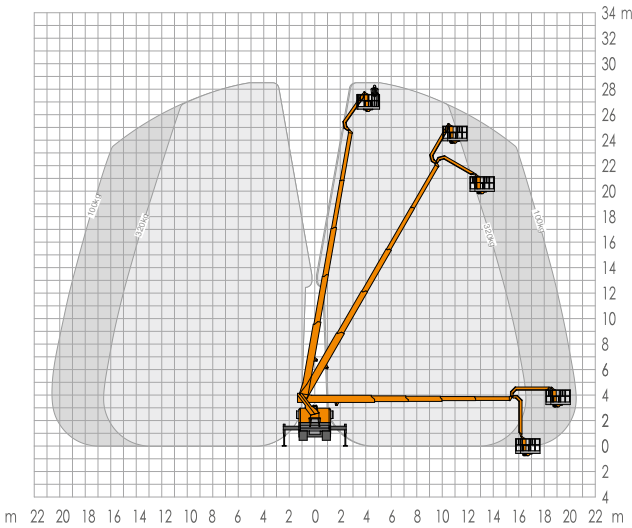
- 180° upper boom swivelling range
- 320 kg work cage capacity
- Overall length of just 6.96 m
- 2 x 90° cage rotation
- Permissible inclination: 5°
- Tower and boom system made of high-strength, fine-grained steel using proven multi-bevelled technology
- Truck can be positioned closer to objects than ever before because of the new rear-mounted tower
- Innovation: with the fully redesigned upper boom, objects can be approached with utmost sensitivity and precision. Work can also be carried out behind objects without any degree of difficulty



### RUTHMANNSTEIGER® TU 285

	28.50m		≥ 3.69m
	26.50m		6.96m
	20.50m		5°
	540°		≥ 7,490kg
	320kg		180°
	1.70 x 0.86 m		

# STEIGER® TU 285



All measurements and weights are approximate and refer to the standard basic execution. Technical alterations reserved. **STEIGER®**, **GELENKSTEIGER®**, **RÜSSEL®** and **CARGOLOADER®** are registered trademarks of **RUTHMANN GmbH & Co. KG**